

4

3

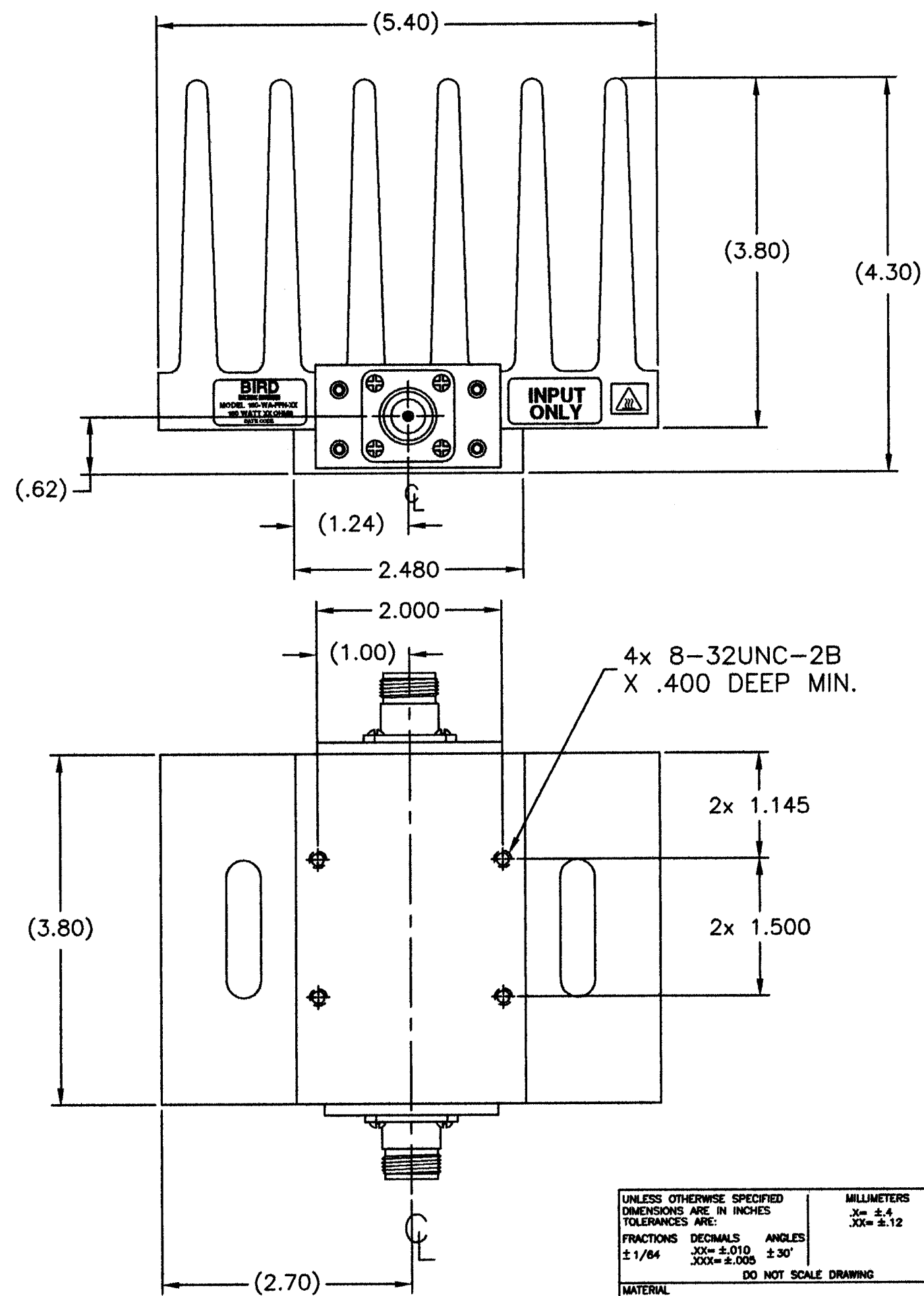
2

1

REVISIONS		DWG. NO.	150-WA-FFN-XX	SHEET	REV
ZONE	REV	DESCRIPTION	DATE	APPROVED	
	A	CONVERT TO BEC FORMAT	DMR 3-31-03	<i>MARV</i>	

SPECIFICATIONS:

IMPEDANCE: 50 OHMS NOMINAL  
 FREQUENCY RANGE: DC TO 2.4GHz  
 VSWR: DC TO 1GHz AT 1.10:1 MAX.  
 1GHz TO 2.4GHz AT 1.25:1 MAX.  
 POWER RATING: 150 WATTS CW (UNI-DIRECTIONAL) AT 25°C AMBIENT  
 COOLING FIN: ALUMINUM, BLACK ANODIZED  
 COVER: ALUMINUM, BLACK ANODIZED  
 CONNECTOR: N-TYPE FEMALE, TRI-ALLOY PLATED  
 OPERATING POSITION: HORIZONTAL (FINS UP) OR VERTICALLY  
 NOMINAL SIZE: APPROX. 5.45" L X 5.40" W X 4.30" H  
 WEIGHT: APPROX. 2.5 LBS



NOTE:  
 FOR VALUES NOT LISTED, REFER TO THE NEXT HIGHER ATTENUATION LEVEL FOR SPECIFICATIONS.  
 FOR ATTENUATION VALUES GREATER THAN THE HIGHEST LISTED ATTENUATION VALUE, REFER TO THE VALUE 1/2 THE DESIRED ATTENUATION LEVEL, THEN DOUBLE THE LISTED SPECIFICATION VALUES, UNLESS OTHERWISE SPECIFIED.

XX = DASH NUMBER (dB VALUE)

-30	30	±0.8 dB	±1.3 dB
-20	20	±0.5 dB	±1.0 dB
-10	10	±0.4 dB	±0.8 dB
-06	6	±0.4 dB	±0.6 dB
-03	3	±0.3 dB	±0.5 dB
-02	2	±0.3 dB	±0.5 dB
-01	1	±0.3 dB	±0.5 dB

DASH NO.	dB ATTEN.	DC - 1GHz ATTENUATOR	1 - 2.4GHz ACCURACY ±dB
----------	-----------	----------------------	-------------------------

UNLESS OTHERWISE SPECIFIED DIMENSIONS ARE IN INCHES TOLERANCES ARE:

FRACTIONS	DECIMALS	ANGLES
±1/84	XX=±0.010 XXX=±0.005	±30'

DO NOT SCALE DRAWING

MILLIMETERS  
 X=±.4  
 XX=±.12

THIS DRAWING IS THE PROPERTY OF THE BIRD ELECTRONIC CORPORATION. THE DESIGNS AND SPECIFICATIONS DISCLOSED HEREON ARE PROPRIETARY AND SHALL NOT BE REPRODUCED, NOR COPIED, NOR USED AS THE BASIS FOR THE MANUFACTURE OR SALE OF APPARATUS OR DEVICES WITHOUT THEIR EXPRESS WRITTEN CONSENT.

APPROVALS		DATE	TITLE
DRAWN	D.M.RINK	3-31-03	ATTENUATOR, CONVECTION COOLED N-TYPE FEMALE/FEMALE, 150W
CHECKED			
APPROVED	<i>MARV</i>	3-31-03	

SIZE	FSCM NO.	DWG. NO.	REV
C	70998	150-WA-FFN-XX	A
SCALE	1:1	COMM CODE	AT1
		SHEET	1 OF 1

**BIRD Electronic Corporation**  
 Cleveland (Solon) Ohio USA

4

3

2

1